

Midway City Council  
7 September 2021  
Regular Meeting

Department Reports

## Midway Cemetery Burial Plots Information

### Single Burial Plot Sales

<input type="checkbox"/>	Section G	36 Graves	Available	Currently \$500.00 Each	\$18,000.00
<input type="checkbox"/>	Section H	50 Graves	Available	Currently \$500.00 Each	\$25,000.00
<input type="checkbox"/>	Section I	240 Graves	Available	Currently \$500.00 Each	\$120,000.00

### Stacked Burial Plot Sales

If we sale them as stacked plots our preference would be to sell them in the following preference. (1) plot stacked double, then one single/standard, then (1) Plot Stacked. This allows us to excavate next to the Stacked ones without them caving in or falling over.

Currently we have been selling single plots with stacking rights in the sections of G, H and I. For the amount of (\$500.00)

I propose that for stacked burial plots that we raise the purchase price to \$900.00.

Burial lots will be excavated down 7 ft for a stacked burial plot for the first placement, the the second one will be placed above the first one vault at approximately 2.5 feet allowing for 24" of cover.

Changing the burial depth to 7 ft will still give us an allowance to excavate the plot with our current piece of equipment with out have to lease a large machine.

<input type="checkbox"/>	Section G	(24) Graves Stacked	$\$21,600 + (12) \text{ Single Graves } \$6,000 = \$27,600$
<input type="checkbox"/>	Section H	(32) Graves Stacked	$\$28,800 + (16) \text{ Single Graves } \$8,000 = \$36,800$
<input type="checkbox"/>	Section I	(160) Graves Stacked	$\$144,000 + (80) \text{ Single Graves } \$40,000 = \$184,000$

### Current Cemetery Pricing:

- Single/Stacked Adult, Child, (6) Cremations or (4) Infant's (4' by 8' Standard Burial Plot) (\$500.00)
- Opening and Closing Fee's: Weekday Monday thru Thursday (\$600.00) Adult /Child
- Opening and Closing Fee's: Weekend Friday and Saturday (\$800.00) Adult /Child
- Opening and Closing Fee's: Weekday Monday thru Thursday (250.00) Cremation or Infant
- Opening and Closing Fee's: Weekend Friday and Saturday (\$350.00) Cremation or Infant
- \$250.00 Per hour after 3:00 PM
- \$31.00 Research document fees. (Proposing rate change to \$50.00)
- Disinterment: \$1,500.00

No Non resident fees at this time.

## New Cemetery Program

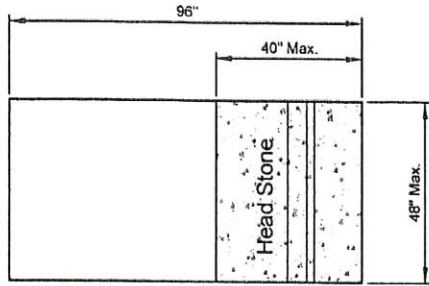
### Progress Report

#### Cemetery Sections and Blocks Completed:

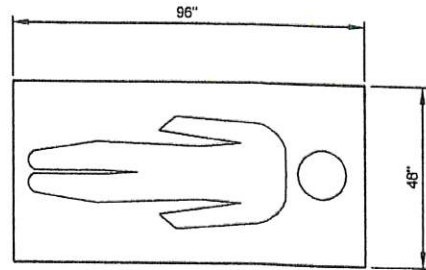
- Completed:
- Section A1: 17, 17 a, 18, 18 b, 19, 19 b, 20, 20 b, 21
- Section B      Block B
- Section C      Block C
- Section D      Block D
- Section E      Block E
- Section F      Block F
- Section G      Block G
- Section H      Block H
- Section I      Block I
- Section A3: Blocks 9, 10, 11, 13, 15, & 16
- Section A2: Blocks 7, 8 A, 8 B, 1, 3, 4 & 5.

#### Cemetery Sections and Blocks to be Completed:

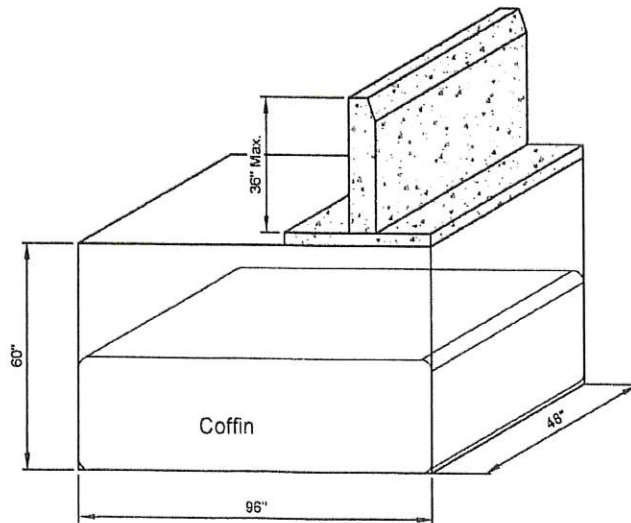
- Section A 2, Blocks: 2, 3, and 6.
- Section A 3, Blocks: 12 and 14.



Adult Standard w/ Head Stone



Adult Standard



Adult Standard

H:\Midway City\Midway Cemetery Burial Data\Midway Burial Data - STANDARD ADULT - 1/22/2019 04:18pm. nabalier

**HORROCKS**  
ENGINEERS

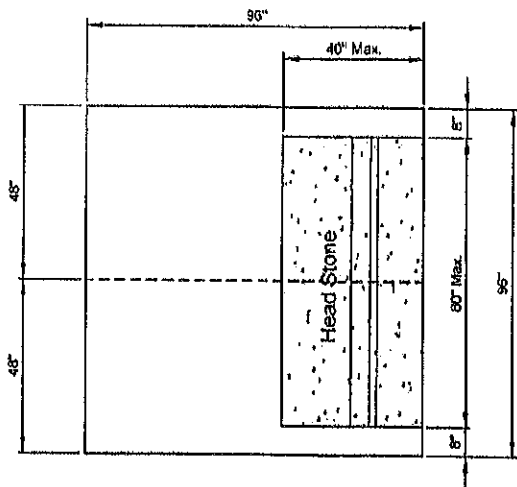
DATE  
JANUARY 2019  
HORROCKS ENGINEERS  
728 WEST 100 SOUTH #2  
HEBER CITY, UTAH 84032  
(435) 854-2226



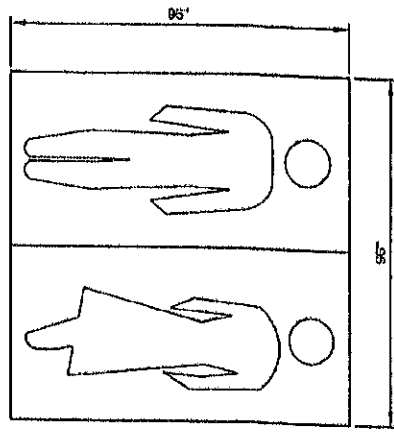
MIDWAY CITY  
75 NORTH 100 WEST  
PO BOX 277  
MIDWAY, UTAH 84049  
(435) 854-3223

**MIDWAY CITY**

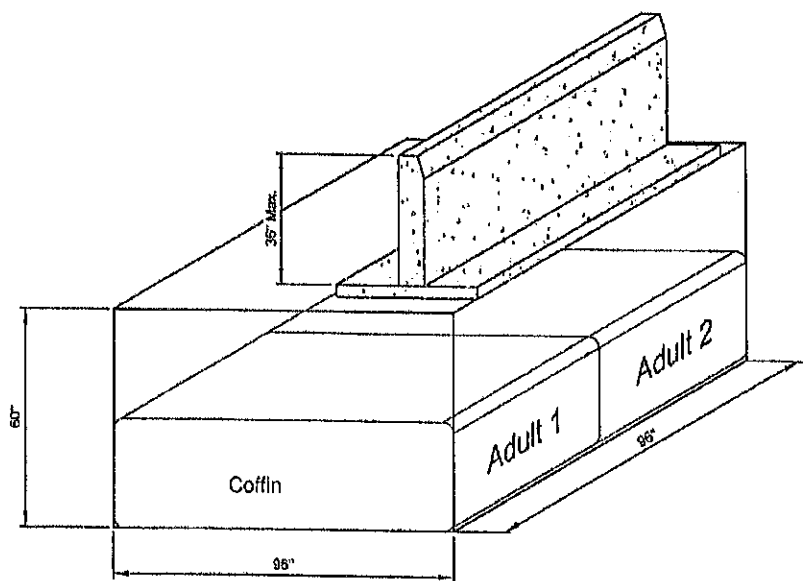
STANDARD ADULT



Adult Double w/ Head Stone



Adult Double



Adult Double

I:\Midway City\Midway Cemetery\Burial Data\Midway Burial Data.dwg - ADULT DOUBLE - 1/22/2019 04:15pm - rmlaker

**HORROCKS**  
ENGINEERS

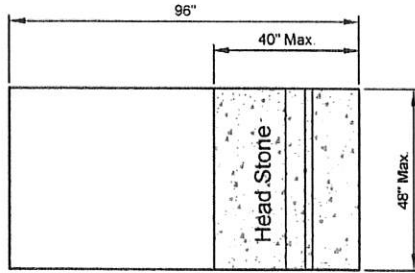
DATE  
JANUARY 2019  
HORROCKS ENGINEERS  
728 WEST 100 SOUTH #2  
IRVING CITY, UTAH 84032  
(435) 654-3220



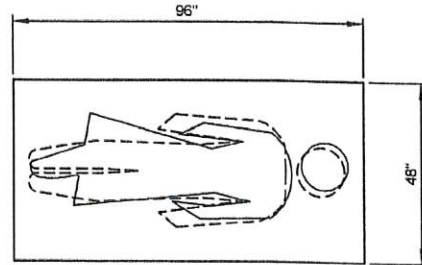
MIDWAY CITY  
75 NORTH 100 WEST  
PO BOX 277  
MIDWAY, UTAH 84040  
(435) 654-3223

**MIDWAY CITY**

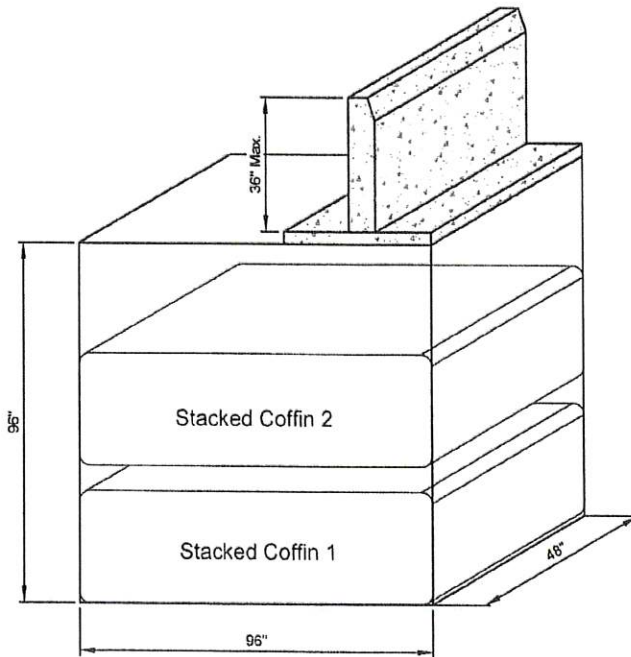
ADULT DOUBLE



Stacked Burial w/ Head Stone



Stacked Burial



Stacked Burial

H:\Midway City\Midway Cemetery Burial Data\Midway Burial Data.dwg - 1/22/2019 04:18pm, naitaler

**HORROCKS**  
ENGINEERS

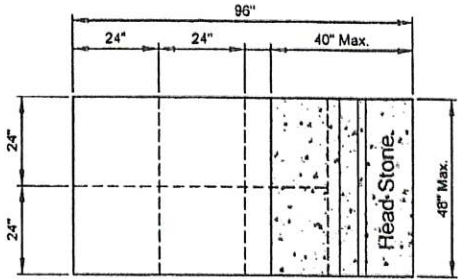
DATE  
JANUARY 2019  
HORROCKS ENGINEERS  
728 WEST 100 SOUTH #2  
HEBER CITY, UTAH 84032  
(435) 854-2228



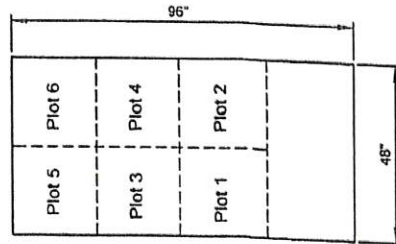
MIDWAY CITY  
75 NORTH 100 WEST  
PO BOX 277  
MIDWAY, UTAH 84049  
(435) 854-3223

**MIDWAY CITY**

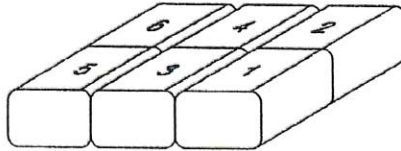
STACKED BURIAL



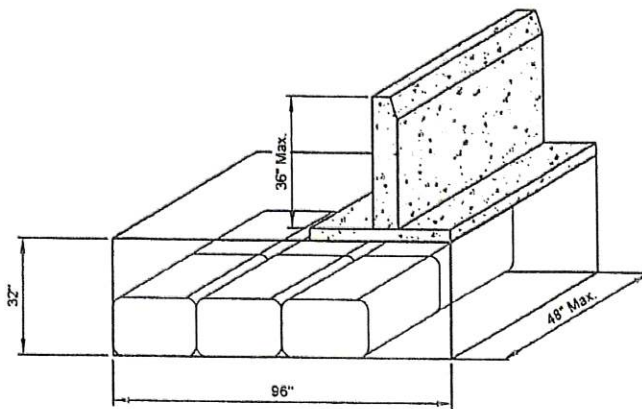
Cremation Burial w/ Head Stone



Cremation Burial



Cremation Plots



Cremation Burial

H:\Midway City\Midway Cemetery Burial Data\Midway Burial Data.dwg - CREMATION BURIAL - 1/22/2019 06:19pm. matalier

**HORROCKS**  
ENGINEERS

JANUARY 2019  
HORROCKS ENGINEERS  
728 WEST 100 SOUTH 02  
SEBER CITY, UTAH 84032  
(435) 554-2226

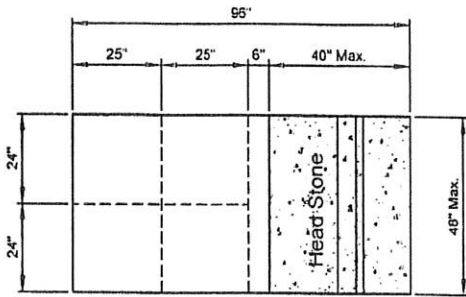


MIDWAY CITY  
75 NORTH 100 WEST  
PO BOX 277  
MIDWAY, UTAH 84049  
(435) 654-3223

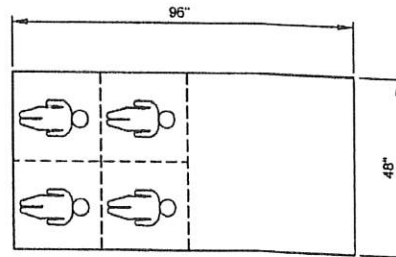
**MIDWAY CITY**

CREMATION BURIAL

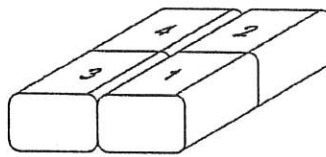
K:\Midway City\Midway Cemetery Burial Data\Midway Burial Data.Dwg - INFANT BURIAL - 1/23/2019 08:30am, msafer



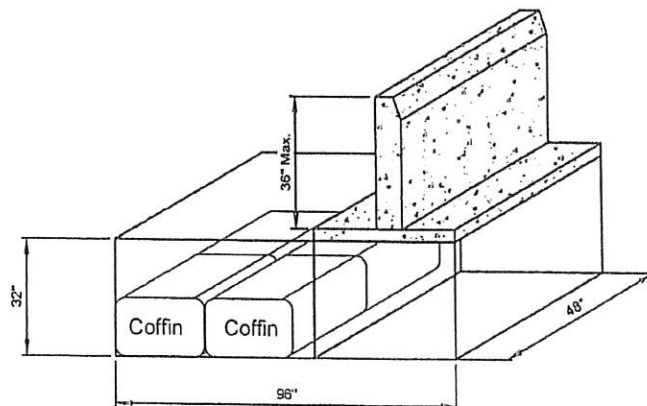
Infant Burial w/ Head Stone



Infant Burial



Infant Burial



Infant Burial

**HORROCKS**  
ENGINEERS

JANUARY 2019  
HORROCKS ENGINEERS  
728 WEST 100 SOUTH #12  
HEBER CITY, UTAH 84032  
(435) 854-2226



MIDWAY CITY  
75 NORTH 100 WEST  
PO BOX 277  
MIDWAY, UTAH 84049  
(435) 854-3223

**MIDWAY CITY**  
INFANT BURIAL